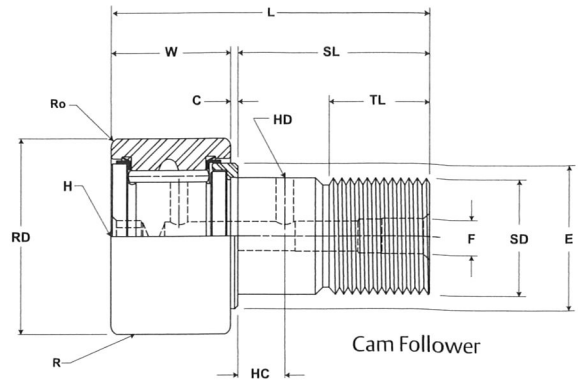


McGILL® Inch Cam Follower Bearings



- Basic Construction Type:** Stud Type Crowned / Cylindrical Outside Diameter
- Rolling Elements:** Full Complement Needle Roller
- Bearing Material:** Bearing Quality Steel
- Seal Type:** LUBRI-DISC®
- Lubrication:** Lithium Soap Grease NLGI #2
- System Configuration:** Concentric / Eccentric / Heavy Stud
- Mounting Feature:** Slot / Hex Hole



CF, CFE, CFH

Part No.		RD		W		SD		SL	C	TL	L	R	ECC	G	BD	Track Roller Dynamic Rating	Track Roller Static Rating
W/O Seals	With LUBRI-DISC Seals	Roller Diameter		Roller Width		Stud Diameter		Stud Length	Endplate Extension	Min Thread Length	Length Overall	Crown Prefix CCF-XX	Eccentric Base Modifier CFE-XX				
		inch mm	inch mm	inch mm	inch mm	inch mm	inch mm	inch mm	inch mm	inch mm	inch mm	inch mm	inch mm	inch mm			
		Nom.	Tol.	Nom.	Tol.	Nom.	Tol.	(Ref)	(Ref)	(Ref)	(Ref)	Radius (Ref)	(Ref)	+0/-.010	±.001	lb/N	
CF 1	CF 1 S											Cylindrical				2,225 9,897	3,060 13,611
CF 1 B	CF 1 SB	1.000	+0/-.001	.625	+0/-.005	.4375	+0.001/-0	1.00	.031	.50	1.66	12 305	N/A	N/A	N/A		
CCF 1	CCF 1 S	25.40	+0/-.03	15.88	+0/-.13	11.11	+0.03/-0	25.4	.8	12.7	42.1						
CCF 1 B	CCF 1 SB																
CFE 1	CFE 1 S											Cylindrical				2,225 9,897	6,120 27,222
CFE 1 B	CFE 1 SB	1.000	+0/-.001	.625	+0/-.005	.4375	+0.001/-0	1.00	.031	.50	1.66	12 305	.030	.500	.625		
CCFE 1	CCFE 1 S	25.40	+0/-.03	15.88	+0/-.13	11.11	+0.03/-0	25.4	.8	12.7	42.1						
CCFE 1 B	CCFE 1 SB																
CFH 1	CFH 1 S											Cylindrical				2,225 9,897	6,120 27,222
CFH 1 B	CFH 1 SB	1.000	+0/-.001	.625	+0/-.005	.625	+0.001/-0	1.00	.031	.50	1.66	12 305	N/A	N/A	N/A		
CCFH 1	CCFH 1 S	25.40	+0/-.03	15.88	+0/-.13	15.88	+0.03/-0	25.4	.8	12.7	42.1						
CCFH 1 B	CCFH 1 SB																
CF 1 1/8	CF 1 1/8 S											Cylindrical				2,225 9,897	3,060 13,611
CF 1 1/8 B	CF 1 1/8 SB	1.125	+0/-.001	.625	+0/-.005	.4375	+0.001/-0	1.00	.031	.50	.031	12 305	N/A	N/A	N/A		
CCF 1 1/8	CCF 1 1/8 S	28.58	+0/-.03	15.88	+0/-.13	11.11	+0.03/-0	25.4	.8	12.7							
CCF 1 1/8 B	CCF 1 1/8 SB																
CFE 1 1/8	CFE 1 1/8 S											Cylindrical				2,225 9,897	6,120 27,222
CFE 1 1/8 B	CFE 1 1/8 SB	1.125	+0/-.001	.625	+0/-.005	.4375	+0.001/-0	1.00	.031	.50	1.66	12 305	.030	.500	.625		
CCFE 1 1/8	CCFE 1 1/8 S	28.58	+0/-.03	15.88	+0/-.13	11.11	+0.03/-0	25.4	.8	12.7	42.1						
CCFE 1 1/8 B	CCFE 1 1/8 SB																
CFH 1 1/8	CFH 1 1/8 S											Cylindrical				2,225 9,897	6,120 27,222
CFH 1 1/8 B	CFH 1 1/8 SB	1.125	+0/-.001	.625	+0/-.005	.625	+0.001/-0	1.00	.031	.50	1.66	12 305	N/A	N/A	N/A		
CCFH 1 1/8	CCFH 1 1/8 S	28.58	+0/-.03	15.88	+0/-.13	15.88	+0.03/-0	25.4	.8	12.7	42.1						
CCFH 1 1/8 B	CCFH 1 1/8 SB																

Metric dimensions for reference only.
Hex wrench size for "Broached" version is located in the wrench size chart on page B-156.

Not all parts are available from stock. Please contact customer service for availability (800) 626-2120.
For more information on bearing capabilities outside of our standard offering, please contact Application Engineering (800) 626-2093.